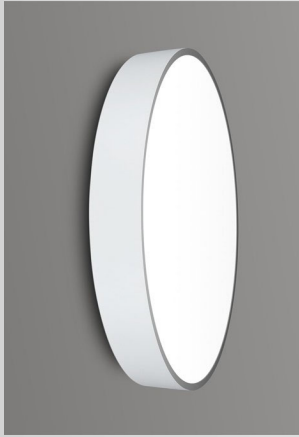


# CINNABON COLLECTION



## CATEGORY:

Indoor, Suspension or Surface Mount, Damp Location

## MATERIALS:

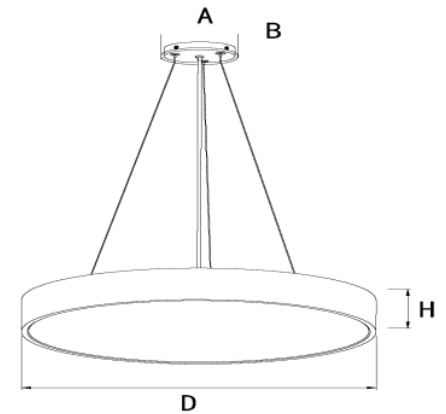
Aluminium, Polycarbonate

## FEATURES:

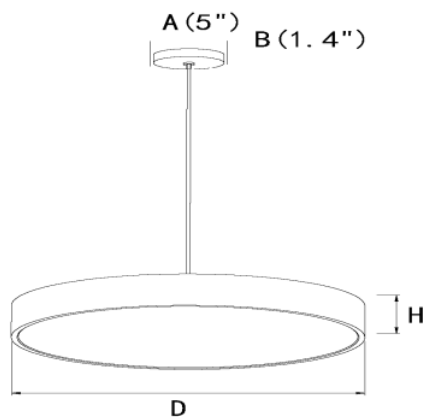
- Available in standard light, acoustic w/light or acoustic only (no light)
- 3 color finishes (black, white, silver), can be customized.
- 35 acoustic felt colors
- Operation Voltage: AC120-277V;
- 0-10v dimming and non-dimmable options
- Direct and indirect lighting options
- Efficiency: >85lm/w
- PC, UL-94VO, Anti-UV lens
- Samsung 2835, 9V, 100mA
- CCT: 2700K, 3000K, 3500K, 4000K and 5000K with a great color consistency (within 3-step MacAdam ellipse)

## DIMENSIONS OF SUSPENDED MODELS:

MODEL NUMBER	DIMENSION				DIMENSION CODE
	D	H	A	B	
LL0112S-15W	11.8"(600mm)	1.8"(45mm)	10.0"(250mm)	1.38"(35mm)	SS
LL0112S-20W	15.7"(400mm)	1.8"(45mm)	10.0"(250mm)	1.38"(35mm)	S
LL0112S-25W	18.9"(480mm)	3.1"(80mm)	10.0"(250mm)	1.38"(35mm)	M
LL0112S-40W	23.6"(600mm)	3.1"(80mm)	10.0"(250mm)	1.38"(35mm)	L
LL0112S-90W	35.4"(900mm)	3.1"(80mm)	10.0"(250mm)	1.38"(35mm)	XL
LL0112S-180W	47.2"(1200mm)	3.1"(80mm)	13.8"(350mm)	1.38"(35mm)	XXL

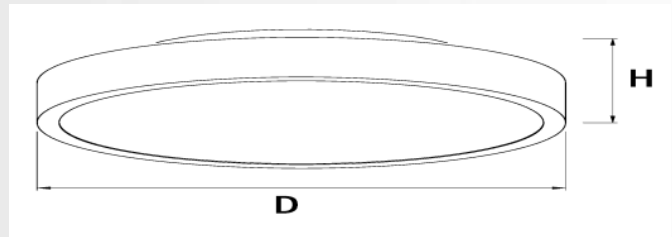


MODEL NUMBER	DIMENSION				DIMENSION CODE
	D	H	A	B	
LL0112UDS-50W	18.9"(480mm)	3.1"(80mm)	10.0"(250mm)	1.38"(35mm)	M
LL0112UDS-80W	23.6"(600mm)	3.1"(80mm)	10.0"(250mm)	1.38"(35mm)	L
LL0112UDS-120W	35.4"(900mm)	3.1"(80mm)	13.8"(350mm)	1.38"(35mm)	XL
LL0112UDS-220W	47.2"(1200mm)	3.1"(80mm)	17.7"(450mm)	1.38"(35mm)	XXL



## DIMENSIONS OF SURFACE-MOUNTED MODELS:

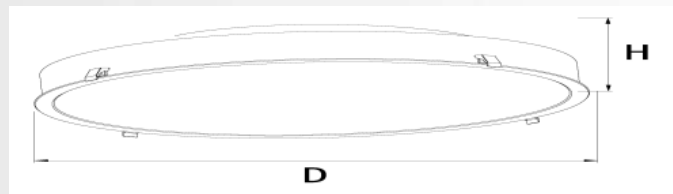
MODEL NUMBER	DIMENSION		DIMENSION CODE
	D	H	
LL0112M-15W	11.8"(300mm)	2.6"(65mm)	SS
LL0112M-20W	15.7"(400mm)	2.6"(65mm)	S
LL0112M-25W	18.9"(480mm)	3.7"(95mm)	M
LL0112M-40W	23.6"(600mm)	3.7"(95mm)	L
LL0112M-90W	35.4"(900mm)	3.7"(95mm)	XL
LL0112M-150W	47.2"(1200mm)	3.7"(95mm)	XXL



MODEL NUMBER	DIMENSION		DIMENSION CODE
	D	H	
LL0112UDM-50W	18.9"(480mm)	3.7"(95mm)	M
LL0112UDM-80W	23.6"(600mm)	3.7"(95mm)	L
LL0112UDM-120W	35.4"(900mm)	3.7"(95mm)	XL
LL0112UDM-150W	47.2"(1200mm)	3.7"(95mm)	XXL

## DIMENSIONS OF RECESSED MODELS:

MODEL NUMBER	DIMENSION		DIMENSION CODE
	D	H	
LL0112R-25W	20.1"(510mm)	3.7"(95mm)	M
LL0112R-40W	24.8"(630mm)	3.7"(95mm)	L
LL0112R-90W	36.6"(930mm)	3.7"(95mm)	XL
LL0112R-150W	48.4"(1230mm)	3.7"(95mm)	XXL



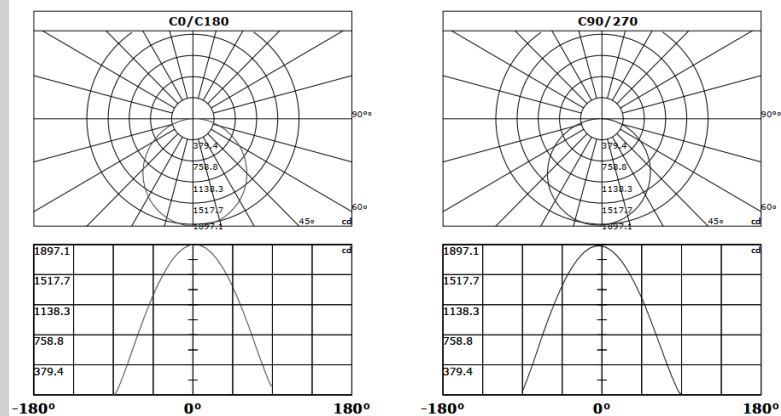
## LIGHTING INFORMATION SUSPENDED DIRECT AND INDIRECT:

MODEL NUMBER	Dimensions (diameter)	DIRECT lm/watt	INDIRECT lm/watt	SAFETY CABLE QTY	POWER CABLE QTY	DIMENSION CODE
LL0112UDS-50W	18.9"(480mm)	2550/30W	1700/20W	3	2	M
LL0112UDS-80W	23.6"(600mm)	4250/50W	2550/30W	3	2	L
LL0112UDS-120W	35.4"(900mm)	6120/72W	4080/48W	3	3	XL
LL0112UDS-220W	47.2"(1200mm)	11220/132W	7480/88W	4	5	XXL

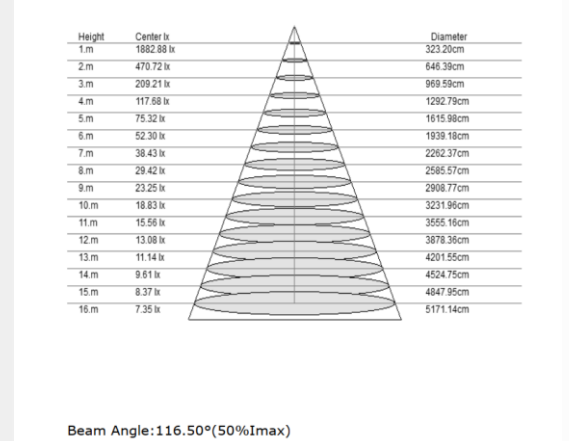
## LIGHTING INFORMATION MOUNTED DIRECT AND INDIRECT:

MODEL NUMBER	Dimensions (diameter)	DIRECT lm/watt	INDIRECT lm/watt	SAFETY CABLE QTY	POWER CABLE QTY	DIMENSION CODE
LL0112UDM-50W	18.9"(480mm)	2550/30W	1700/20W	3	2	M
LL0112UDM-80W	23.6"(600mm)	4250/50W	2550/30W	3	2	L
LL0112UDM-120W	35.4"(900mm)	6800/80W	3400/40W	3	3	XL
LL0112UDM-220W	47.2"(1200mm)	8500/100W	4250/50W	4	5	XXL

### LIGHT DISTRIBUTION



### OPTICAL SYSTEM



## ACOUSTIC COLORS:



## HOW TO ORDER:

Ordering Format	Model No.	Distribution	Installation		Acoustic Configuration	Power	CRI	CCT		Control		Body Color		Dimension (mm/inch)
Ordering Format	LL0112	Blank down	S	suspended	Blank no acoustic	15W	80+	30K	3000K	STD	non-dimming	SW	matt white	SS
		UD Up and down	M	surface mounted	AC Acoustic only	20W	90+	40K	4000K	DIM	0-10V dimming	SB	matt black	S
			R	recessed	ACLT Acoustic with Light	25W		50K	5000K			RAL	customized color	M
			TR	trimless recessed		40W								L
						50W								XL
						80W								XXL
						90W								
						120W								
						150W								
						180W								
				220W										

FOR EXAMPLE: LL0112S-15W-80-30K-DIM--SW-S

## ACCESSORIES:

- A. Mounting Bracket
- B. Anchor Screws
- C. Plastic Anchors
- D. Bracket Screws
- E. Canopy Screws
- F. Wire Connectors

