

**CODE:**

6383

**TYPOLOGY:**

recessed lamp walkover

**MATERIALS:**

stainless steel AISI 316L

**LIGHT:**

diffuse

**BULBS:**

/W - LED max 3x1 W 350mA 453lm 4000K

/WW - LED max 3x1 W 350mA 429lm 3000K

**IP GRADE:**

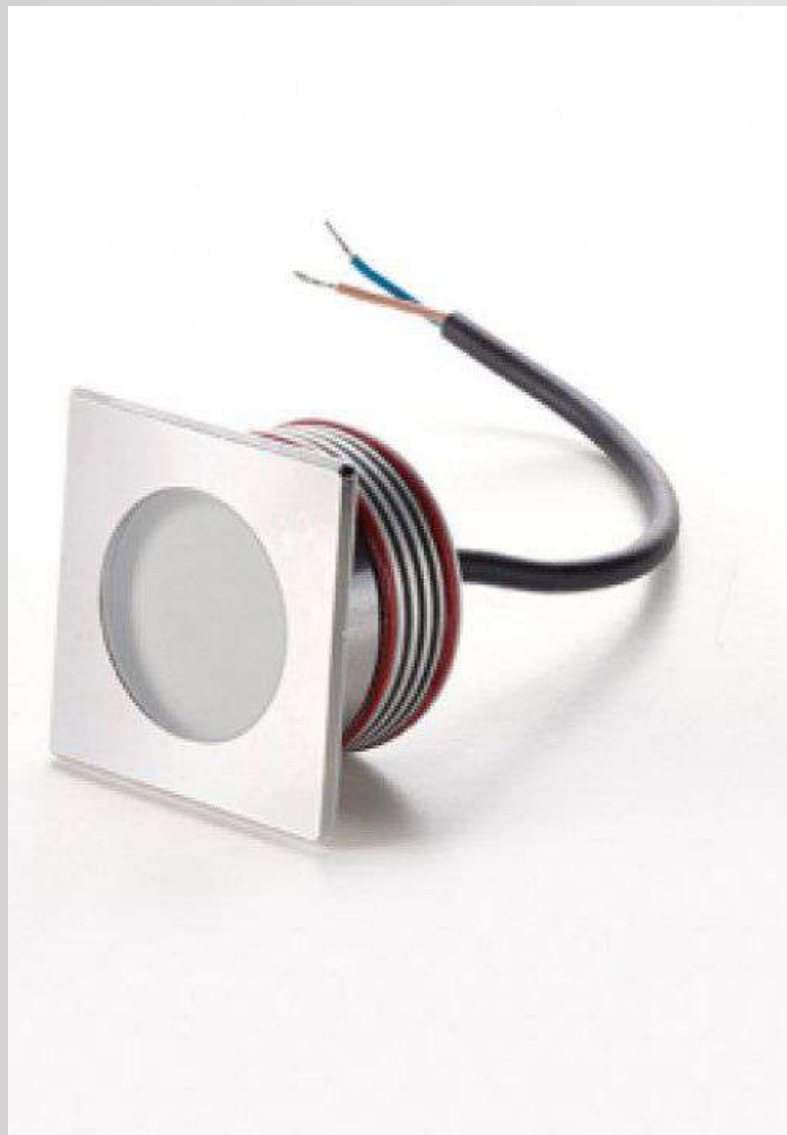
IP 67

**NET WEIGHT:**

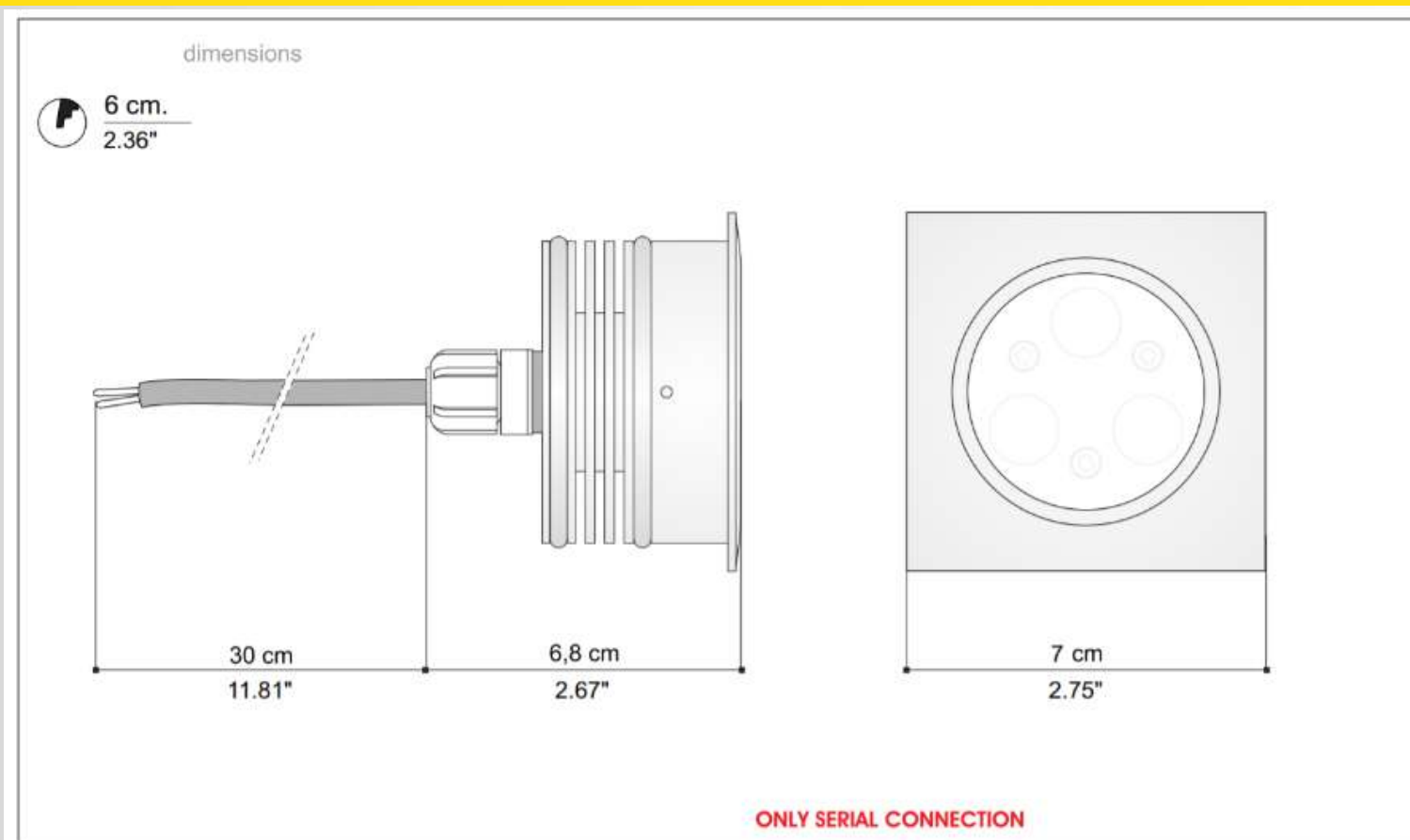
0,40 Kg

**FINISHING:**

.33 matt steel



**DIMENSIONS:**



**WE WELCOME ALL CUSTOM ORDERS!**

IES files upon Request

**ACCESSORIES:**



Code: 0230  
Description: Montage kit  
Characteristics: for Zeppelin-Maxi  
Dimensions: ø100x100 mm



Code: 0232  
Description: Montage kit  
Characteristic: for Zeppelin-Maxi-Step 6369  
Dimension: ø100x75 mm



Code: 0129/DALI  
Description: LED Dimmer  
Characteristics: DALI, 350mA 1w 1-12 LEDs,  
500mA 2w 1-12 LEDs,  
700mA 3w 1-12 LEDs, 1-2 COB  
Weight: 0,08 kg  
Dimensions: 22x100x70 mm  
Protection: IP 20



Code: 0145/DALI  
Description: LED Dimmer  
Characteristics: dimmable 1-10V, 350mA 1w 1-18 LEDs/  
500mA 2w 1-18 LEDs/  
700mA 3w 1-18 LEDs, 1-3 COB  
Dimensions: 27x36x110 mm

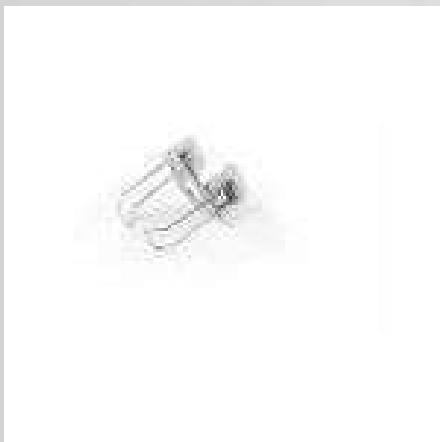
**WE WELCOME ALL CUSTOM ORDERS!**

IES files upon Request

**ACCESSORIES:**



Code: 0031/IP  
 Description: LED Driver  
 Dimensions: 20x80x39 mm  
 Characteristics: 350 mA, 1x-10x 1W Power LEDs  
 Protection: IP 67



Code: 0260/C  
 Description: Spring for plasterboard  
 Characteristics: for Zeppelin COB



Code: 0125  
 Description: LED Driver  
 Dimensions: 20x60x35 mm  
 Characteristics: 350mA, 1x-6x LEDs 1w, 1x COB LED 600



Code: 0128  
 Description: LED Driver  
 Characteristics: 350mA, 1x-10x LEDs 1w,  
 1x-2x COB LED 600  
 Dimensions: 27x36x110 mm

**WE WELCOME ALL CUSTOM ORDERS!**

IES files upon Request