

CODE:

6387

TYPOLOGY:

recessed spot

MATERIALS:

aluminium

LIGHT:

LED

BULBS:

/W - LED max 2W 500 mA 209lm 4000K

/WW - LED max 2W 500 mA 199lm 3000K

IP GRADE:

IP 55

NET WEIGHT:

0,40 Kg

FINISHING:

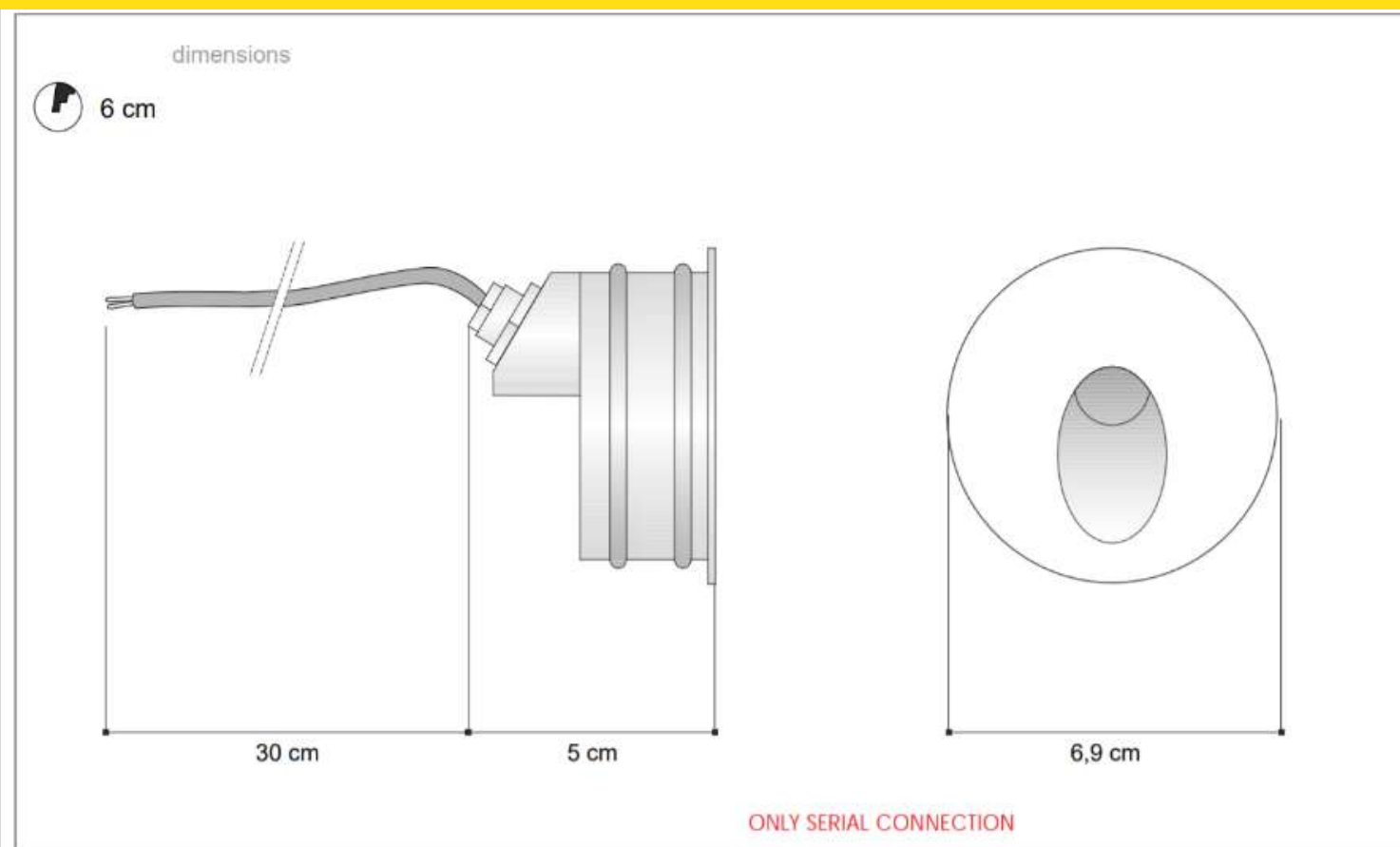
.01 white .45 aluminium anodized



IP55



DIMENSIONS:



WE WELCOME ALL CUSTOM ORDERS!

IES files upon Request

ACCESSORIES:



Code: 0232
Description: Montage kit
Characteristics: for Zeppelin-Maxi-Step 6369
Dimensions: ø100x75 mm



Code: 0243
Description: Cable connector
Characteristic: for 4510 Vision 1, 4511 Vision 3, 3502 Kepi
Protection: IP 67



Code: 0129/DALI
Description: LED Dimmer
Characteristics: DALI, 350mA 1w 1-12 LEDs,
500mA 2w 1-12 LEDs,
700mA 3w 1-12 LEDs, 1-2 COB
Weight: 0,08 kg
Dimensions: 22x100x70 mm
Protection: IP 20



Code: 0145/DALI
Description: LED Dimmer
Characteristics: dimmable 1-10V, 350mA 1w 1-18 LEDs/
500mA 2w 1-18 LEDs/
700mA 3w 1-18 LEDs, 1-3 COB
Dimensions: 27x36x110 mm

WE WELCOME ALL CUSTOM ORDERS!

IES files upon Request

ACCESSORIES:



Code: 0143/IP
Description: LED Driver
Dimensions: 20x82x39 mm
Characteristics: 500 mA 1x-7x Power LEDs 2W
Protection: IP 65



Code: 0031/IP
Description: LED Driver
Dimensions: 20x80x39 mm
Characteristics: 350 mA, 1x-10x 1W Power LEDs
Protection: IP 67



Code: 0125
Description: LED Driver
Dimensions: 20x60x35 mm
Characteristics: 350mA, 1x-6x LEDs 1w, 1x COB LED 600



Code: 0127
Description: LED Driver
Characteristics: 500mA, 1x-6x LEDs 2w
Dimensions: 27x36x110 mm

WE WELCOME ALL CUSTOM ORDERS!

IES files upon Request

ACCESSORIES:



Code:	0128
Description:	LED Driver
Characteristics:	350mA, 1x-10x LEDs 1w, 1x-2x COB LED 600
Dimensions	27x36x110 mm

WE WELCOME ALL CUSTOM ORDERS!

IES files upon Request



991 South Gull Lake Dr
Richland, MI 49083, USA
1 877-964-4646