

KROSS

6361

CODE:

6361

TYPOLOGY:

recessed lamp trampleable

MATERIALS:

stainless steel AISI 316L

LIGHT:

marks of light

BULBS:

/W - LED max 2W 500 mA 209lm 4000K

/WW - LED max 2W 500 mA 199lm 3000K

IP GRADE:

IP 67

NET WEIGHT:

0,10 Kg

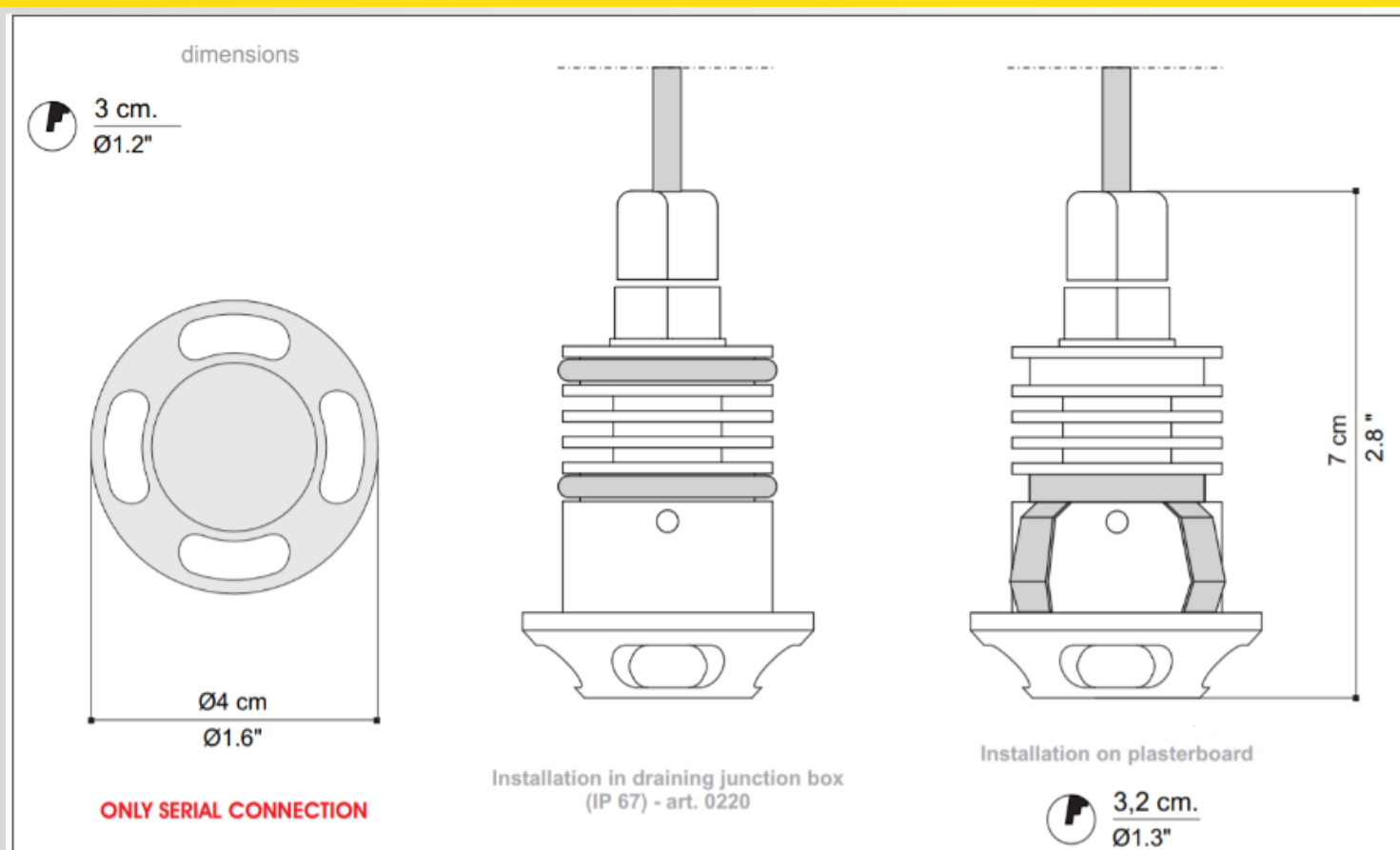
FINISHING:

.33 matt steel

.33/B matt steel - blue led



DIMENSIONS:



WE WELCOME ALL CUSTOM ORDERS!

IES files upon Request

ACCESSORIES:



Code: 0216
 Description: Montage kit
 Characteristics: d30mm, for Cerchietto Fire Ice Kross
 Top Pix Vista Zeppelin
 Dimensions: ø40x70 mm



Code: 0220
 Description: Montage kit
 Characteristics: d30mm, for Zeppelin-Kross-Vista
 Dimensions: ø110x100 mm



Code: 0125
 Description: LED Driver
 Characteristics: 350mA, 1x-6x LEDs 1w, 1x COB LED 600
 Dimensions: 20x60x35 mm



Code: 0127
 Description: LED Driver
 Characteristics: 500mA, 1x-6x LEDs 2w
 Dimensions: 27x36x110 mm

WE WELCOME ALL CUSTOM ORDERS!

IES files upon Request

ACCESSORIES:



Code: 0128
 Description: LED Driver
 Characteristics: 350mA, 1x-10x LEDs 1w,
 1x-2x COB LED 600
 Dimensions: 27x36x110 mm



Code: 0031/IP
 Description: LED Driver
 Characteristics: 350 mA, 1x-10x 1W Power LEDs
 Dimensions: 20x80x39 mm
 Protection: IP 67



Code: 0143/IP
 Description: LED Driver
 Characteristics: 500 mA 1x-7x Power LEDs 2W
 Dimensions: 20x82x39 mm
 Protection: IP 65



Code: 0129/DALI
 Description: LED Dimmer
 Characteristics: DALI, 350mA 1w 1-12 LEDs,
 500mA 2w 1-12 LEDs,
 700mA 3w 1-12 LEDs, 1-2 COB
 Weight: 0,08 kg
 Dimensions: 22x100x70 mm
 Protection: IP 20

WE WELCOME ALL CUSTOM ORDERS!

IES files upon Request

ACCESSORIES:



Code:	0145/DALI
Description:	LED Dimmer
Characteristics:	dimnable 1-10V, 350mA 1w 1-18 LEDs/ 500mA 2w 1-18 LEDs/ 700mA 3w 1-18 LEDs, 1-3 COB
Dimensions	27x36x110 mm

WE WELCOME ALL CUSTOM ORDERS!

IES files upon Request



